

# Hay King

## PASTURE RENOVATOR

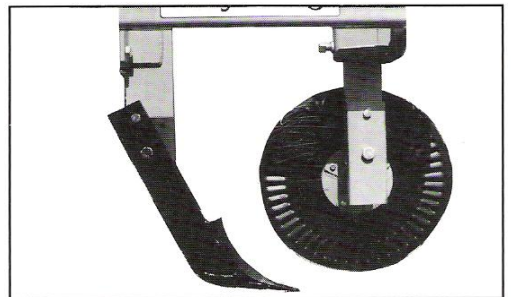


MODEL C-8 - PLOWS 10' 6"

**Stimulates Grass Growth. Saves Fertilizer Cost.  
Promotes Better Utilization of Fertilizer Used.**



Coulter cuts sod in front of each parabolic curve chisel to reduce clods on top of soil. Chisel design lifts sod while fracturing soil to allow air, water and fertilizer to penetrate down to the roots. Packed cow paths are broken up to help grass regrowth.

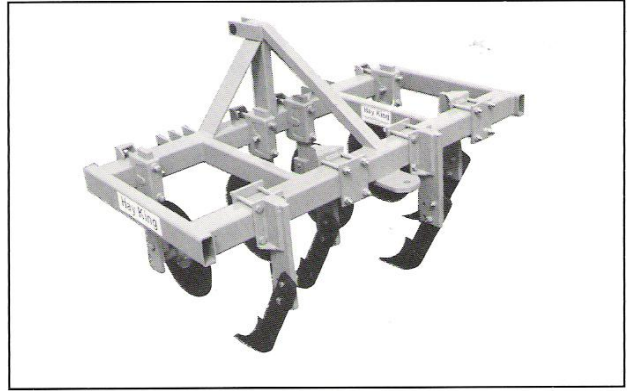




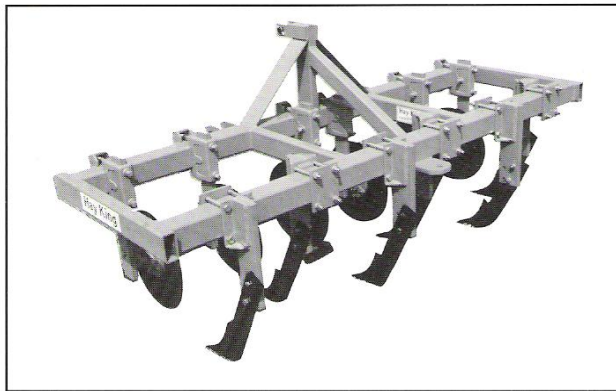
# Six Standard Models - 3'10" to 13'



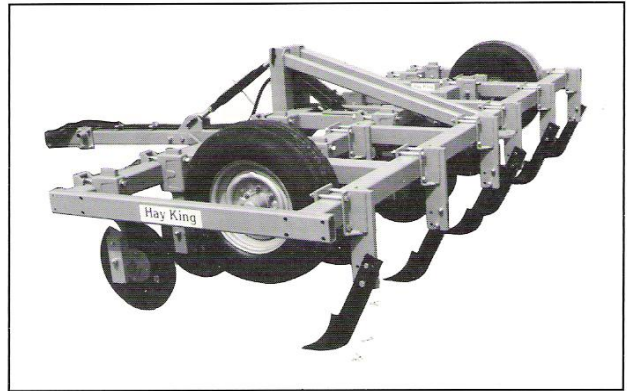
**MODEL C-3 - PLOWS 3'10"**



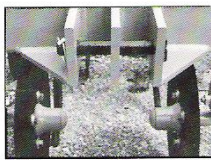
**MODEL C-4 - PLOWS 5'6"**



**MODEL C-6 - PLOWS 8' Cat. 2**



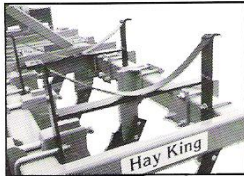
**TEN SHANK PULL TYPE OR 3 PT. - PLOWS 13'**



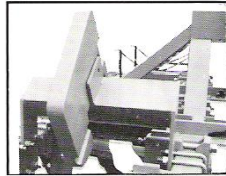
Cat. 1 or 2 standard hook-up on 3 and 4 shank models.

- Points are heat treated to exacting specifications. Staggered shanks help prevent trash build up. Shanks set on 15" centers. Coulters are 17 inches and can be adjusted up or down.
- Sheer bolts protect shanks from rocks, roots and other immovable objects.
- Six standard plow models from 3'10" to 13'.
- Requires 10 to 15 horsepower per shank depending on soil type. Category 2 hook up is standard except on 3 and 4 shank.
- Seed/fertilizer kit available and can be added to 6, 8 or 10 shank models.

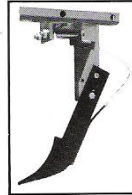
Several styles of fertilizer shanks are available for anhydrous or liquid.



Optional water barrel weight bracket.



Optional front end weight frame.



**UTILITY CHISEL PLOWS**

**PRODUCTS of K & M**

**MANUFACTURING CO. INC.**  
 628 E. LAKE DR. TAYLOR TEXAS 76574  
 512-352-2588 FAX 512-352-6061